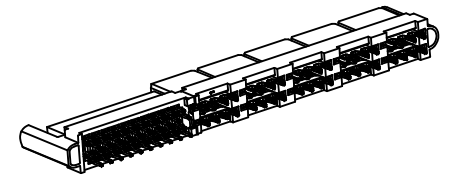


NOTES:

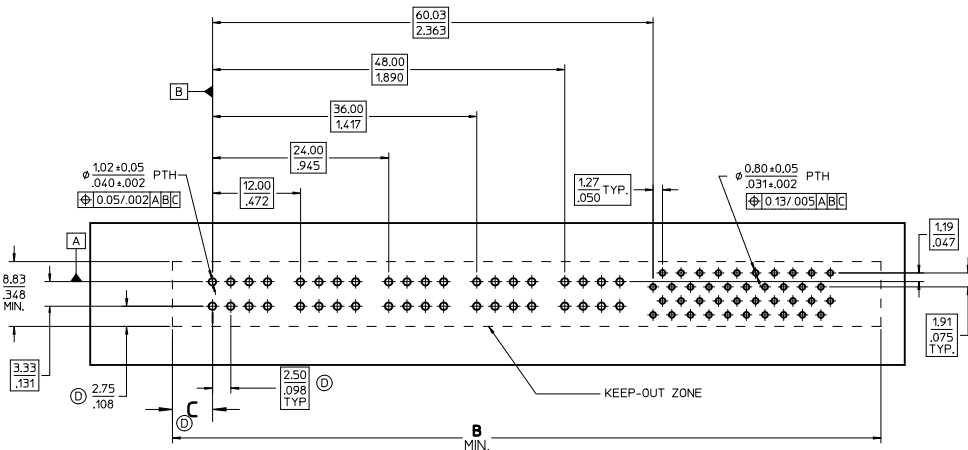
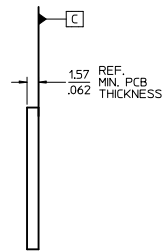
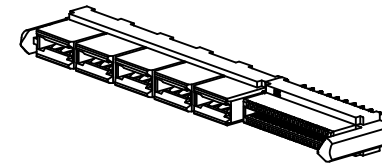
1. MATERIAL: HOUSING: LCP, 94-V0, COLOR: BLACK. POWER CONTACTS: COPPER ALLOY. SIGNAL CONTACTS: MODIFIED TIN BRASS.
2. FINISH: SELECT GOLD - 0.75 μM/30 μ INCHES

SELECTED TIN - 2.50 μM/100 μ INCHES
OR SELECTED TIN-LEAD - 1.91 μM/75 μ INCHES
BOTH OVER NICKEL - 1.25 μM/50 μ INCHES

3. POWER TERMINALS ARE LUBRICATED IN CONTACT AREA.
4. PARTS ARE RoHS COMPLIANT.
5. MATES TO MOLEX P/N 45985-SERIES OR EDGE CARD 157/062.
6. PRODUCT SPECIFICATION PS-46114-001.
7. PACKAGING: PER PK-46114-003.



MATERIAL # 46114-1040 SHOWN
SCALE 2:1



PCB COMPONENT SIDE

ADDED VIEW DEC NO: LCP2012-0319 DRAWN: MKARADIMAS 2011/08/04 CHKD: APPR: APATEL 2011/08/15 REV:	QUALITY SYMBOLS	GENERAL TOLERANCES (UNLESS SPECIFIED)	DIMENSION STYLE	SCALE	DESIGN UNITS	THIRD ANGLE PROJECTION	
		mm INCH	MM ONLY	2:1	METRIC	☉	
	4 PLACES ± --- ± ---	3 PLACES ± --- ± ---	2 PLACES ± 0.13 ± ---	1 PLACE ± 0.25 ± ---	APPROVED BY	DATE	
	ANGULAR ±1/2°		DRAFT WHERE APPLICABLE MUST REMAIN WITHIN DIMENSIONS		MATERIAL NO. SEE CHART		
				DOCUMENT NO. SD-46114-100		SHEET NO. 1 OF 3	

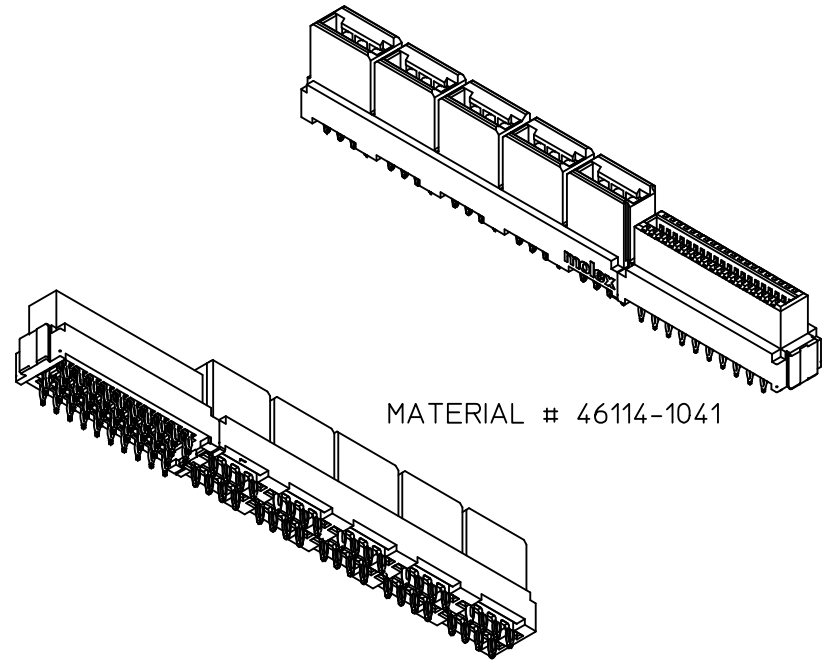
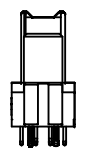
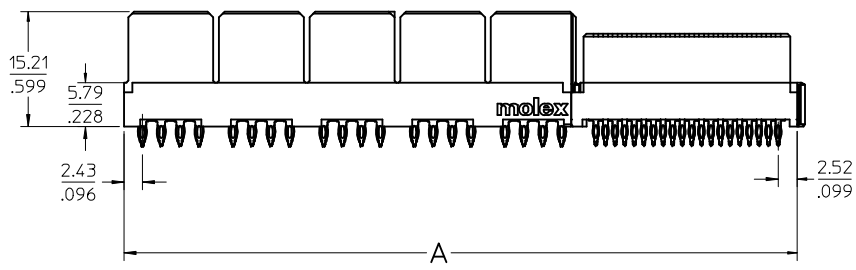
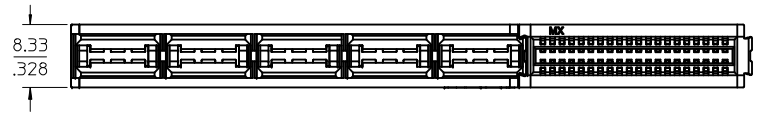
LPH VERTICAL RECEPTACLE

MOLEX INCORPORATED

SD-46114-100

THIS DRAWING CONTAINS INFORMATION THAT IS PROPRIETARY TO MOLEX INCORPORATED AND SHOULD NOT BE USED WITHOUT WRITTEN PERMISSION

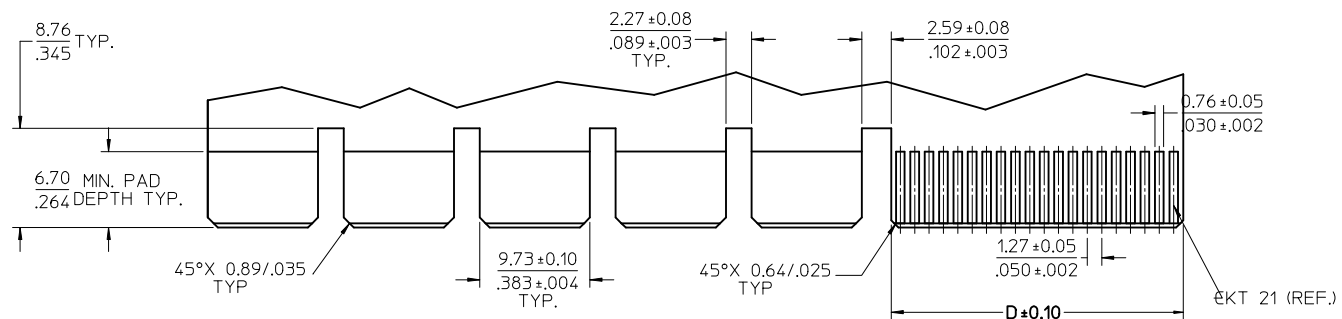
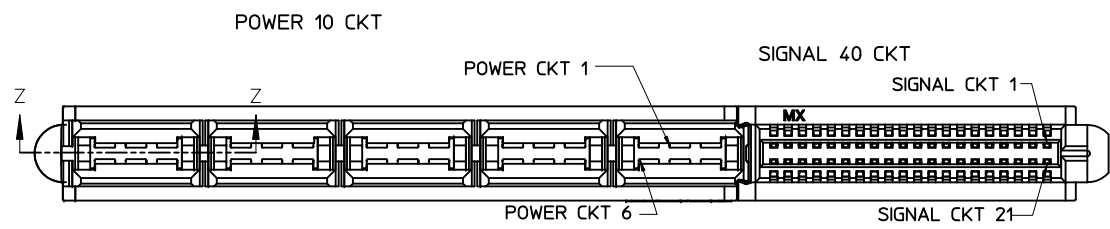
NO OF SIGNALS	MATERIAL NUMBER	COMPLIANT PIN PLATING	DIM A	DIM B	DIM C
12	46114-1013	TIN	71.34/2.809	71.84/2.828	2.69/106
	46114-1113	TIN-LEAD			
16	46114-1017	TIN	73.88/2.909	74.38/2.928	
	46114-1117	TIN-LEAD			
20	46114-1021	TIN	76.42/3.009	76.92/3.028	
	46114-1121	TIN-LEAD			
24	46114-1025	TIN	78.96/3.109	79.46/3.128	
	46114-1125	TIN-LEAD			
28	46114-1029	TIN	81.50/3.209	82.00/3.228	
	46114-1129	TIN-LEAD			
32	46114-1033	TIN	84.04/3.309	84.54/3.328	
	46114-1133	TIN-LEAD			
36	46114-1037	TIN	86.58/3.409	87.08/3.428	
	46114-1137	TIN-LEAD			
40	46114-1041	TIN	89.12/3.509	89.62/3.528	
	46114-1141	TIN-LEAD			



MATERIAL # 46114-1041

SEE SHT 1 EC NO: UCP2012-0319 DRW:MKARADIMAS 2011/08/04 CHKD: APPR:APATEL 2011/08/15	QUALITY SYMBOLS	GENERAL TOLERANCES (UNLESS SPECIFIED)		DIMENSION STYLE	SCALE	DESIGN UNITS	THIRD ANGLE PROJECTION																
	REV			MM ONLY	1:1	METRIC																	
				<table border="1"> <tr> <th></th> <th>mm</th> <th>INCH</th> </tr> <tr> <td>4 PLACES</td> <td>± ---</td> <td>± ---</td> </tr> <tr> <td>3 PLACES</td> <td>± ---</td> <td>± ---</td> </tr> <tr> <td>2 PLACES</td> <td>± 0.13</td> <td>± ---</td> </tr> <tr> <td>1 PLACE</td> <td>± 0.25</td> <td>± ---</td> </tr> </table>		mm	INCH	4 PLACES	± ---	± ---	3 PLACES	± ---	± ---	2 PLACES	± 0.13	± ---	1 PLACE	± 0.25	± ---	DRAWN BY DATE MKARADIMAS 2011/08/04 CHECKED BY DATE APPROVED BY DATE	TITLE	LPH VERTICAL RECEPTACLE	
			mm	INCH																			
4 PLACES	± ---	± ---																					
3 PLACES	± ---	± ---																					
2 PLACES	± 0.13	± ---																					
1 PLACE	± 0.25	± ---																					
		ANGULAR ±1/2°	MATERIAL NO. SEE CHART SIZE C	MOLEX INCORPORATED DOCUMENT NO. SD-46114-100	SHEET NO.	2 OF 3																	
		DRAFT WHERE APPLICABLE MUST REMAIN WITHIN DIMENSIONS		THIS DRAWING CONTAINS INFORMATION THAT IS PROPRIETARY TO MOLEX INCORPORATED AND SHOULD NOT BE USED WITHOUT WRITTEN PERMISSION																			

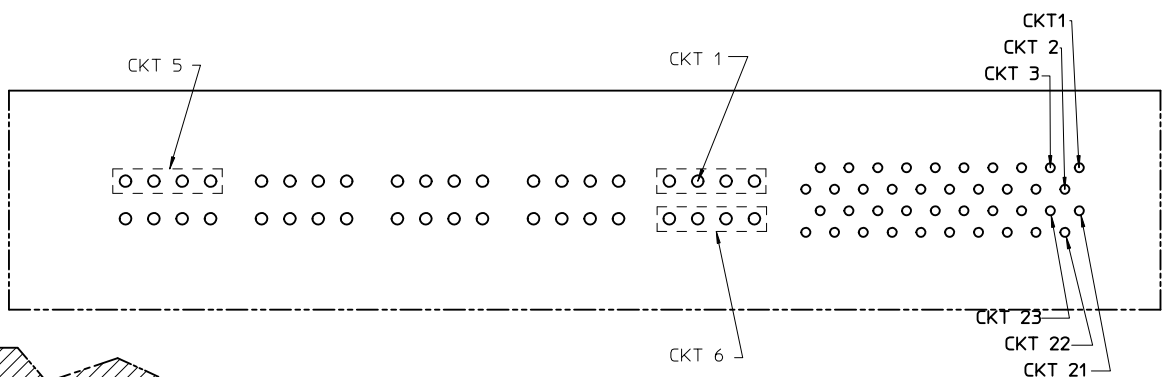
NO OF SIGNAL	DIM. D
12	8.00/.315
16	10.54/.415
20	13.08/.515
24	15.62/.615
28	18.16/.715
32	20.70/.817
36	23.24/.915
40	25.78/1.015



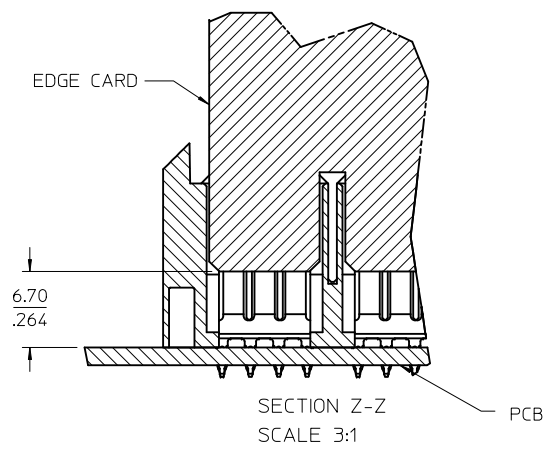
RECOMMENDED EDGE CARD LAYOUT

EDGE CARD THICKNESS:
1.57/.062

PLATING:
GOLD 30 μ INCHES MIN.
OVER 150 μ INCHES NICKEL.



PCB LAYOUT
COMPONENT SIDE
SEE SHT 1 FOR
DIMENSIONS



SEE SHT 1 EC NO: UCP2012-0319 DRAWN: MKARADIMAS 2011/08/04 CHKD: APPR: APATEL 2011/08/15	QUALITY SYMBOLS	GENERAL TOLERANCES (UNLESS SPECIFIED)		DIMENSION STYLE MM ONLY	SCALE 3:1	DESIGN UNITS METRIC	THIRD ANGLE PROJECTION	
		4 PLACES ± --- ± ---	3 PLACES ± --- ± ---	DRAWN BY MKARADIMAS	DATE 2011/08/04	TITLE LPH VERTICAL RECEPTACLE		
		2 PLACES ± 0.13 ± ---	1 PLACE ± 0.25 ± ---	CHECKED BY	DATE	APPROVED BY		DATE
		ANGULAR ± 1/2°		MATERIAL NO. SEE CHART		DOCUMENT NO. SD-46114-100		SHEET NO. 3 OF 3
D2	REV	DRAFT WHERE APPLICABLE MUST REMAIN WITHIN DIMENSIONS		THIS DRAWING CONTAINS INFORMATION THAT IS PROPRIETARY TO MOLEX INCORPORATED AND SHOULD NOT BE USED WITHOUT WRITTEN PERMISSION				